

AC/DC Controller Wiring Instructions

If both AC and DC power sources connected, Controller will operate system from AC source.

If AC source disconnected, Controller will operate system and 12v controls from 12v or 24v DC source.

If DC 12v or 24v source disconnected, Controller will operate system and 12v controls from AC source.

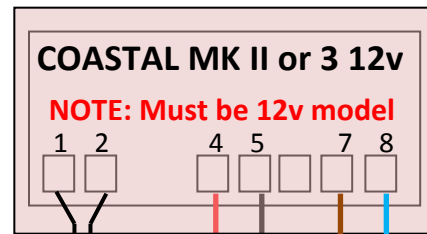
Either This:

Mechanical Thermostat



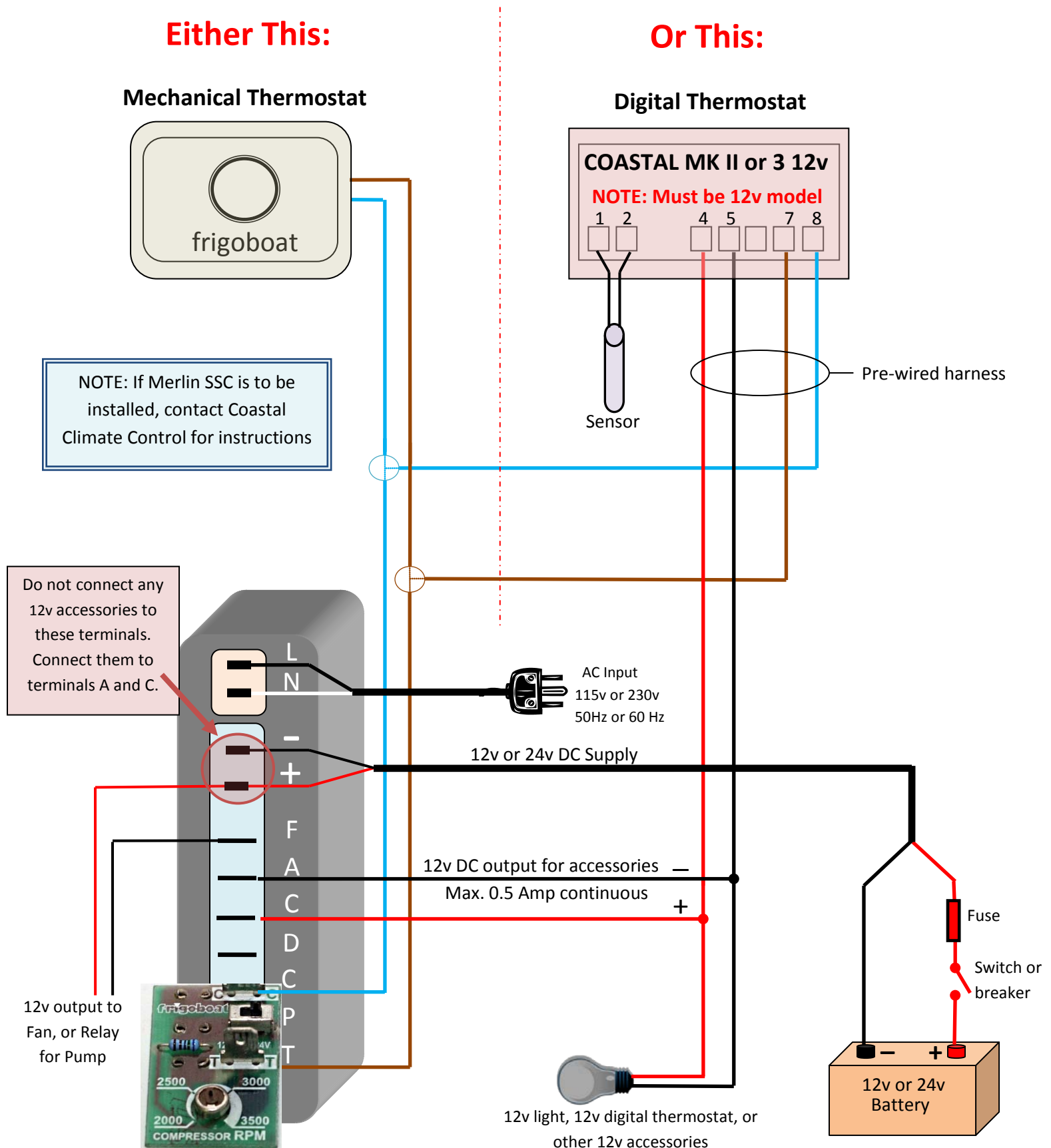
Or This:

Digital Thermostat



NOTE: If Merlin SSC is to be installed, contact Coastal Climate Control for instructions

Do not connect any 12v accessories to these terminals. Connect them to terminals A and C.



12v output to Fan, or Relay for Pump



12v light, 12v digital thermostat, or other 12v accessories

12v or 24v Battery